

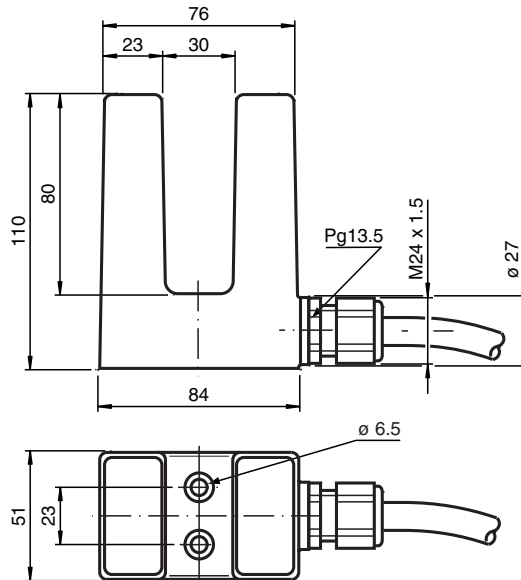
Inductive slot sensor

SJ30-A

- 30 mm slot width
- 4-wire DC



Dimensions



Technical Data

General specifications

Switching function	complementary	
Output type	NPN	
Slot width	30 mm	
Depth of immersion (lateral)	27 ... 31 mm	
Output polarity	DC	
Output type	4-wire	

Nominal ratings

Operating voltage	U_B	10 ... 30 V DC
Switching frequency	f	0 ... 150 Hz
Reverse polarity protection	reverse polarity protected	
Short-circuit protection	pulsing	
Voltage drop	U_d	≤ 3 V
Operating current	I_L	0 ... 200 mA

Release date: 2022-05-18 Date of issue: 2022-05-18 Filename: 000820_eng.pdf

Refer to "General Notes Relating to Pepperl+Fuchs Product Information".

Pepperl+Fuchs Group
www.pepperl-fuchs.com

USA: +1 330 486 0001
fa-info@us.pepperl-fuchs.com

Germany: +49 621 776 1111
fa-info@de.pepperl-fuchs.com

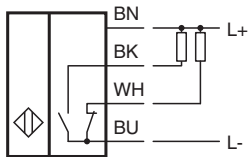
Singapore: +65 6779 9091
fa-info@sg.pepperl-fuchs.com

PF PEPPERL+FUCHS

Technical Data

No-load supply current	I_0	$\leq 20 \text{ mA}$
Functional safety related parameters		
MTTF _d		1121 a
Mission Time (T _M)		20 a
Diagnostic Coverage (DC)		0 %
Compliance with standards and directives		
Standard conformity		
Standards		EN 60947-5-2:2007 EN 60947-5-2/A1:2012 IEC 60947-5-2:2007 IEC 60947-5-2 AMD 1:2012
Approvals and certificates		
UL approval		cULus Listed, General Purpose
CSA approval		cCSAus Listed, General Purpose
CCC approval		CCC approval / marking not required for products rated $\leq 36 \text{ V}$
Ambient conditions		
Ambient temperature		-25 ... 70 °C (-13 ... 158 °F)
Mechanical specifications		
Connection type		cablc PVC , 2 m
Core cross section		0.75 mm ²
Housing material		ABS
Degree of protection		IP67

Connection



Release date: 2022-05-18 Date of issue: 2022-05-18 Filename: 000820_eng.pdf